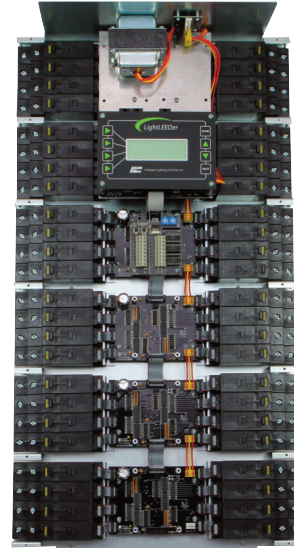


LightLEEDer **Microlite® Retrofit Insert -24 -32 -40 -48**

Overview

A LightLEEDer Microlite® Retrofit Insert -24 -32 -40 -48 can take your present outdated or failing MicroLite® lighting control system and get it up to today's standards. All of the enhanced features of the LightLEEDer system will be available with this retrofit system from LightSync switches to BAS control. Upgrades are as simple as removing the existing hardware and replacing it with the LightLEEDer hardware provided on a single back plate insert. Reuse existing enclosure, conduit, and wiring. The LightLEEDer programmable lighting controller retrofit insert provides a dependable, flexible, and energy savings controller featuring the robust Reliant40 relay.



Features

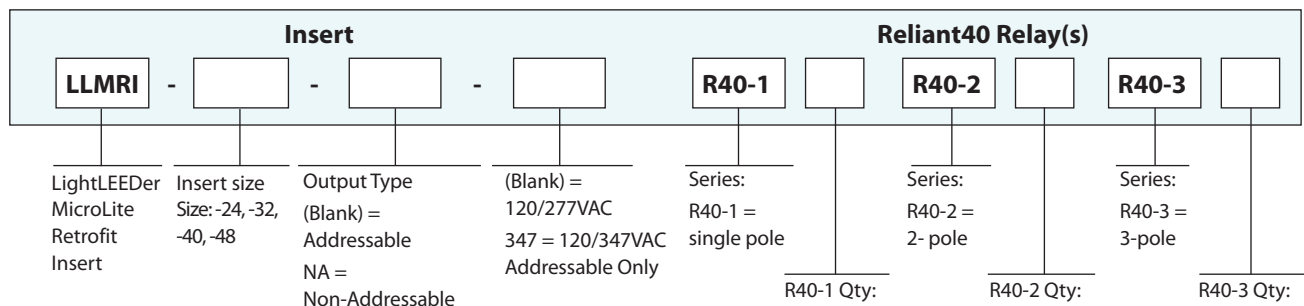
- **Made in the USA**
- **Digital CAT-5 Ready**
- **Electronics, Relays and Transformer** provided on a single insert
- **Reuse** existing enclosure
- **Installs** directly in an existing MicroLite® enclosure
- **Conduit** and wiring can be reused
- **Capacities** of up to 48 relays
- **Relays** are the superior Reliant40 design
- **Optional** inputs for switches and occupancy sensors
- **Standalone** or networked controls
- **Networked** with CAT5 cable
- **BAS/EMS** interface options
- **Compatible** with standard LightLEEDer panels
- **Same features** as the LightLEEDer controller
- **Meets** current energy code requirements
- **Standard Addressable** operation in sets of 4 relays
- **Optional** non-addressable odd/even sequencing
- **Door Included** for the enclosure

Warranty

Five-year limited warranty

Ordering

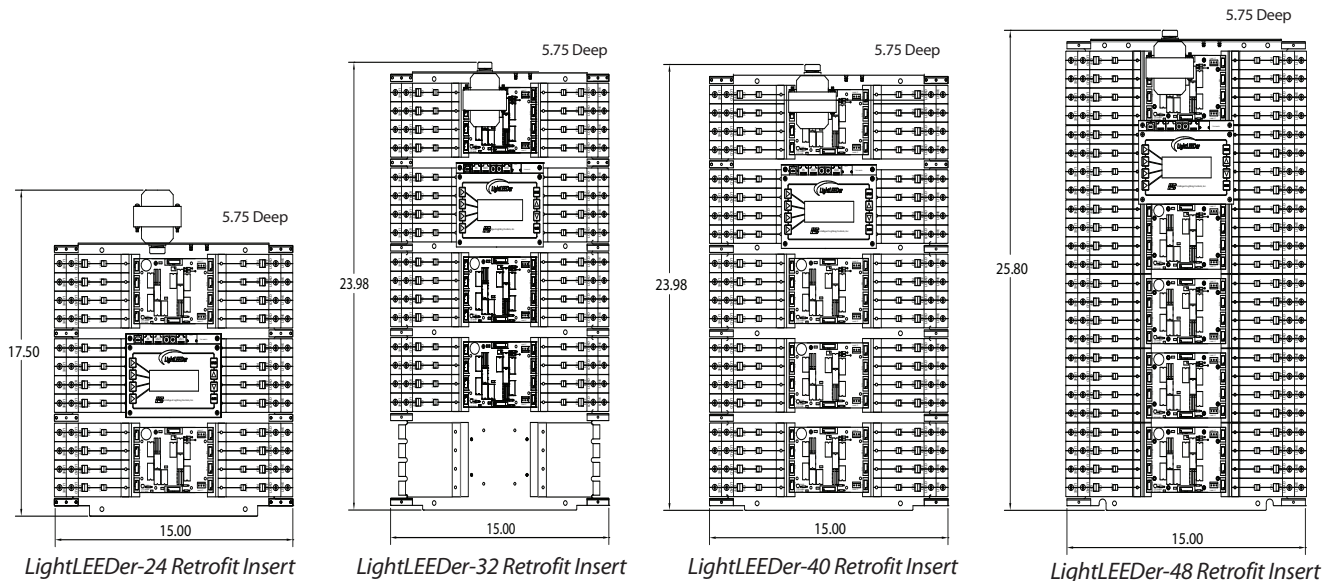
Note: 2 and 3 pole relays only used with non-addressable output type



LightLEEDer

Microlite® Retrofit Insert -24 -32 -40 -48

Physical



Specifications

Relays:

- Superior latching relays
- Switch type override control
- Lockout feature disables control from panel
- 40 Amps @ 120, 277, 347 VAC
- SCCR to 18,000 symmetrical amps
- 1, 2, or 3 pole configurations

Safeguards:

- Power surge and spike suppression up to 123 volts on the 24VAC power input
- Data line surge and spike suppression up to 8kv direct and 15kv thru air
- Memory retention for firmware and programming up to 200 years and electrostatic discharge to 4kv
- Real-Time-Clock time retention 45 days or greater without power
- Internal memory backup and restore

Physical:

- 24 Relay Insert: 17.5" H x 15" W x 5.75" D (Door Incl.: 20"H x 20" W)
- 32 Relay Insert: 23.9" H x 15" W x 5.75" D (Door Incl.: 27"H x 20" W)
- 40 Relay Insert: 23.9" H x 15" W x 5.75" D (Door Incl.: 27"H x 20" W)
- 48 Relay Insert: 25.8" H x 15" W x 5.75" D (Door Incl.: 30"H x 24" W)
- Double sided construction similar to MicroLite®
- Provided with pre-drilled mounting holes
- High voltage barriers separate Normal/Emergency/Class2 wiring

Note: If door size is not listed contact ILC

Electrical:

- 120/277 VAC @ 1 amps or optional 347 VAC

Capacities:

- Up to 48 single pole relays
- 1 to 4 add-on modules

Operating Environment:

- Location: Interior space
- Operating Temperature: 0° to 50° C
- Humidity: 10% - 90% Non-condensing
- Atmosphere: Non-explosive/corrosive
- Vibration: Stationary

Certifications and Approvals:

- UL and CUL listed
- FCC Part 15
- Title 24
- ASHRAE compliant
- LEED compliant